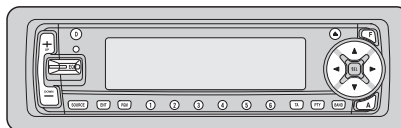


Service Manual

Pioneer

DEH-P900R/UC



ORDER NO.
CRT2324

MULTI-CD/DAB CONTROL DSP HIGH POWER CD PLAYER WITH RDS TUNER

DEH-P900R

UC

MULTI-CD CONTROL DSP HIGH POWER CD PLAYER WITH FM/AM TUNER

DEH-P9050

ES



- See the separate manual CX-916(CRT2300) for the CD mechanism description, disassembly and circuit description.
- The CD mechanism employed in this model is one of S8 series.

SERVICE PRECAUTION

In the first production, the following parts had been mounted temporarily to support the microcomputer <DEH-P900R/UC> IC601 (PD5483A): R591 (RS1/16S473J), R592 (RS1/16S102J), and IC591 (Non spare part).
When replacing IC601 PD5483A, use PD5483B as IC601, and then remove the 3 parts listed above.
<DEH-P9050/ES> IC601 (PD5484A): R591 (RS1/16S473J), R592 (RS1/16S102J), and IC591 (Non spare part).
When replacing IC601 PD5484A, use PD5484B as IC601, and then remove the 3 parts listed above.

CONTENTS

1. SAFETY INFORMATION	2	7. GENERAL INFORMATION	58
2. EXPLODED VIEWS AND PARTS LIST	3	7.1 DIAGNOSIS	58
3. BLOCK DIAGRAM AND SCHEMATIC DIAGRAM ...	10	7.1.1 TEST MODE	58
4. PCB CONNECTION DIAGRAM	32	7.1.2 DISASSEMBLY	62
5. ELECTRICAL PARTS LIST	44	7.2 IC	67
6. ADJUSTMENT.....	54	8. OPERATIONS AND SPECIFICATIONS.....	83

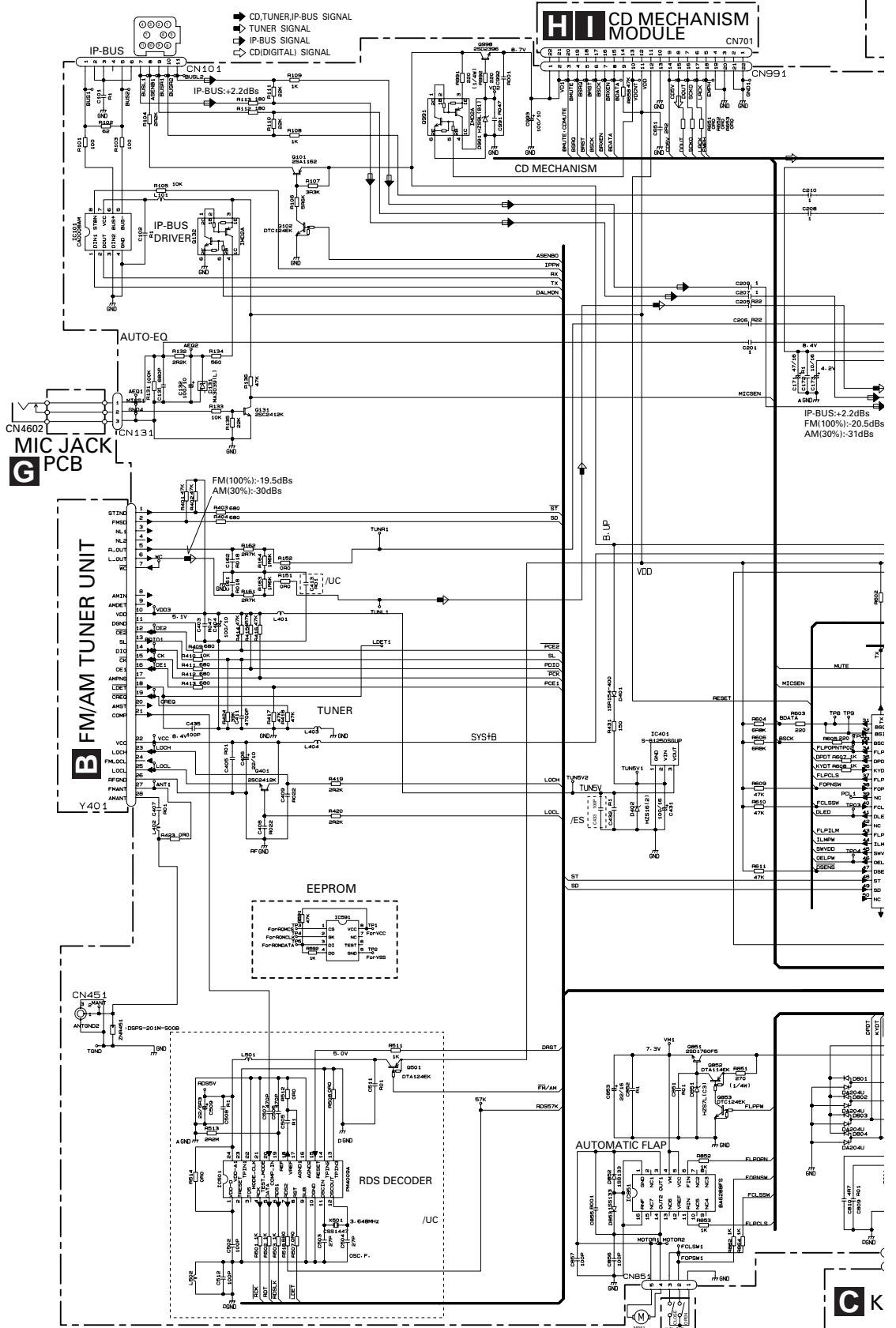
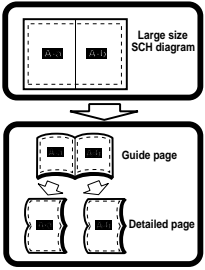
PIONEER ELECTRONIC CORPORATION 4-1, Meguro 1-Chome, Meguro-ku, Tokyo 153-8654, Japan
PIONEER ELECTRONICS SERVICE INC. P.O.Box 1760, Long Beach, CA 90801-1760 U.S.A.
PIONEER ELECTRONIC [EUROPE] N.V. Haven 1087 Keetberglaan 1, 9120 Melsele, Belgium
PIONEER ELECTRONICS ASIACENTRE PTE.LTD. 253 Alexandra Road, #04-01, Singapore 159936

3.2 OVERALL CONNECTION DIAGRAM(GUIDE PAGE)

Note: When ordering service parts, be sure to refer to "EXPLODED VIEWS AND PARTS LIST" or "ELECTRICAL PARTS LIST".

A-a

A

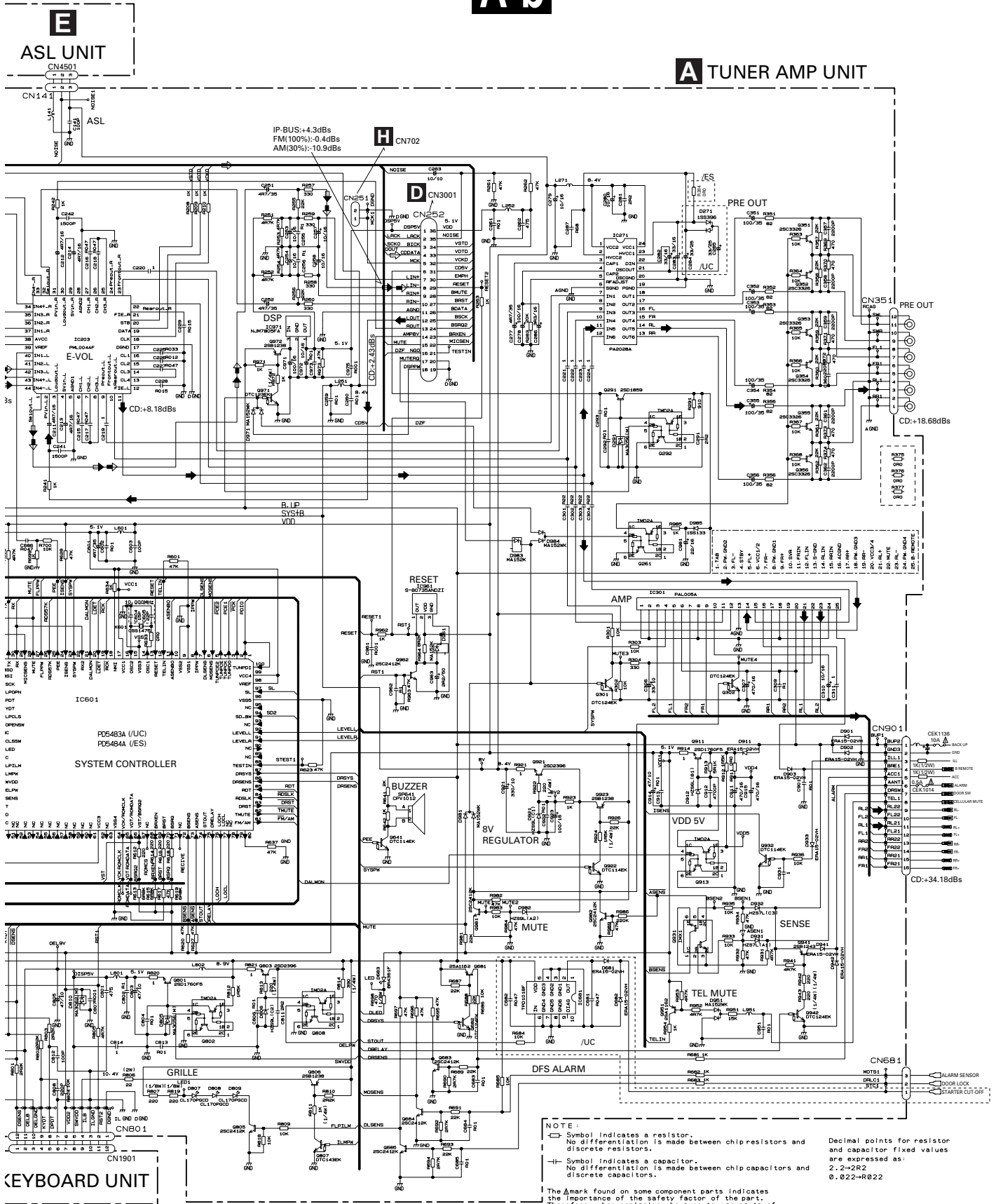


B

C

D

A-b



NOTE
 ⊕ Symbol indicates a resistor.
 No differentiation is made between chip resistors and discrete resistors.
 ⊖ Symbol indicates a capacitor.
 No differentiation is made between chip capacitors and discrete capacitors.
 Decimal points for resistor and capacitor fixed values are expressed as:
 2.2=2R2
 0.022=R022

The mark found on some component parts indicates the importance of the safety factor of the part. Therefore, when replacing, be sure to use parts of identical designation.

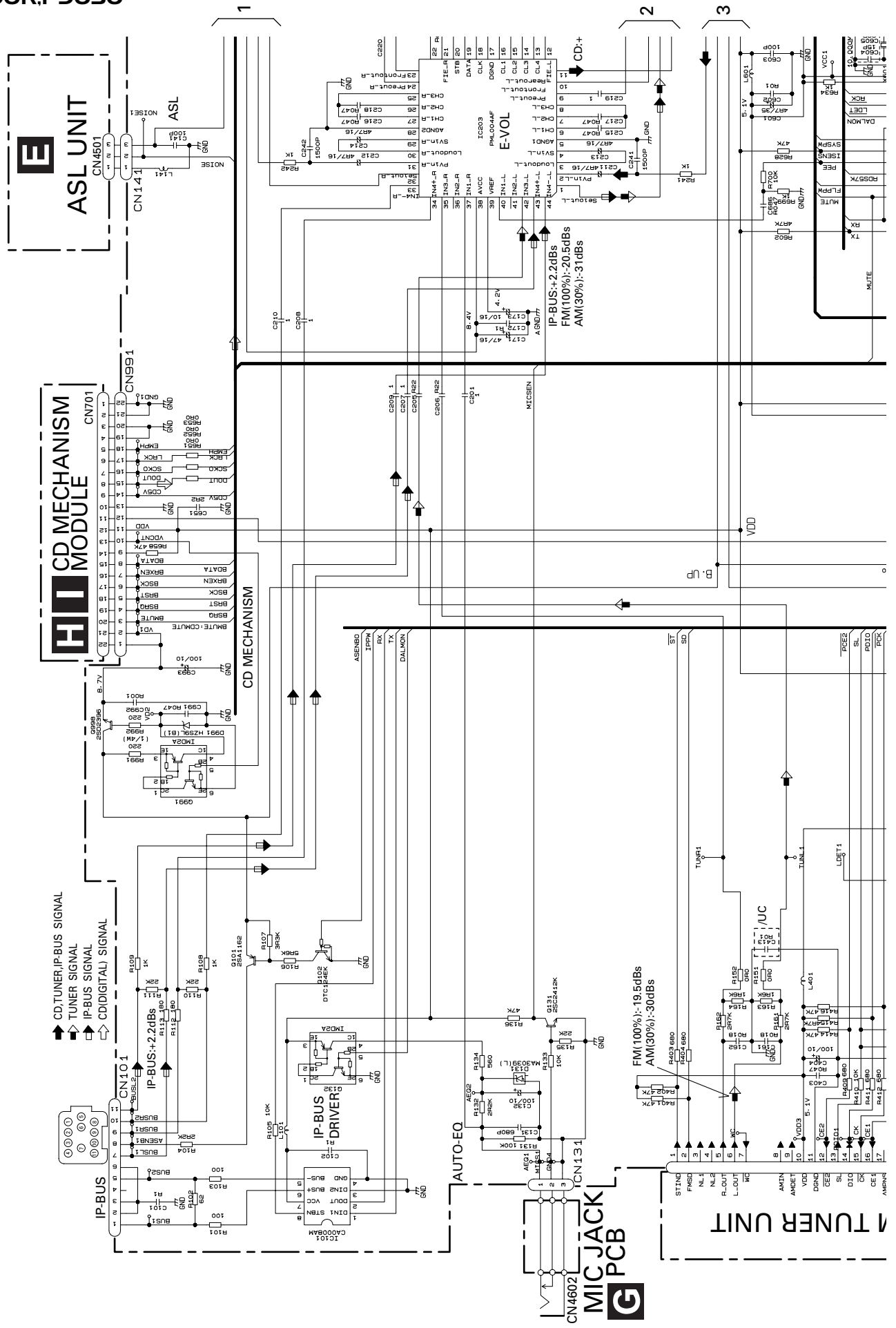


A

B

C

D



A-a A-b

ASL UNIT
CN4501

CD MECHANISM MODULE
CN701

MIC JACK PCB
CN4602

TUNER UNIT

1

2

3

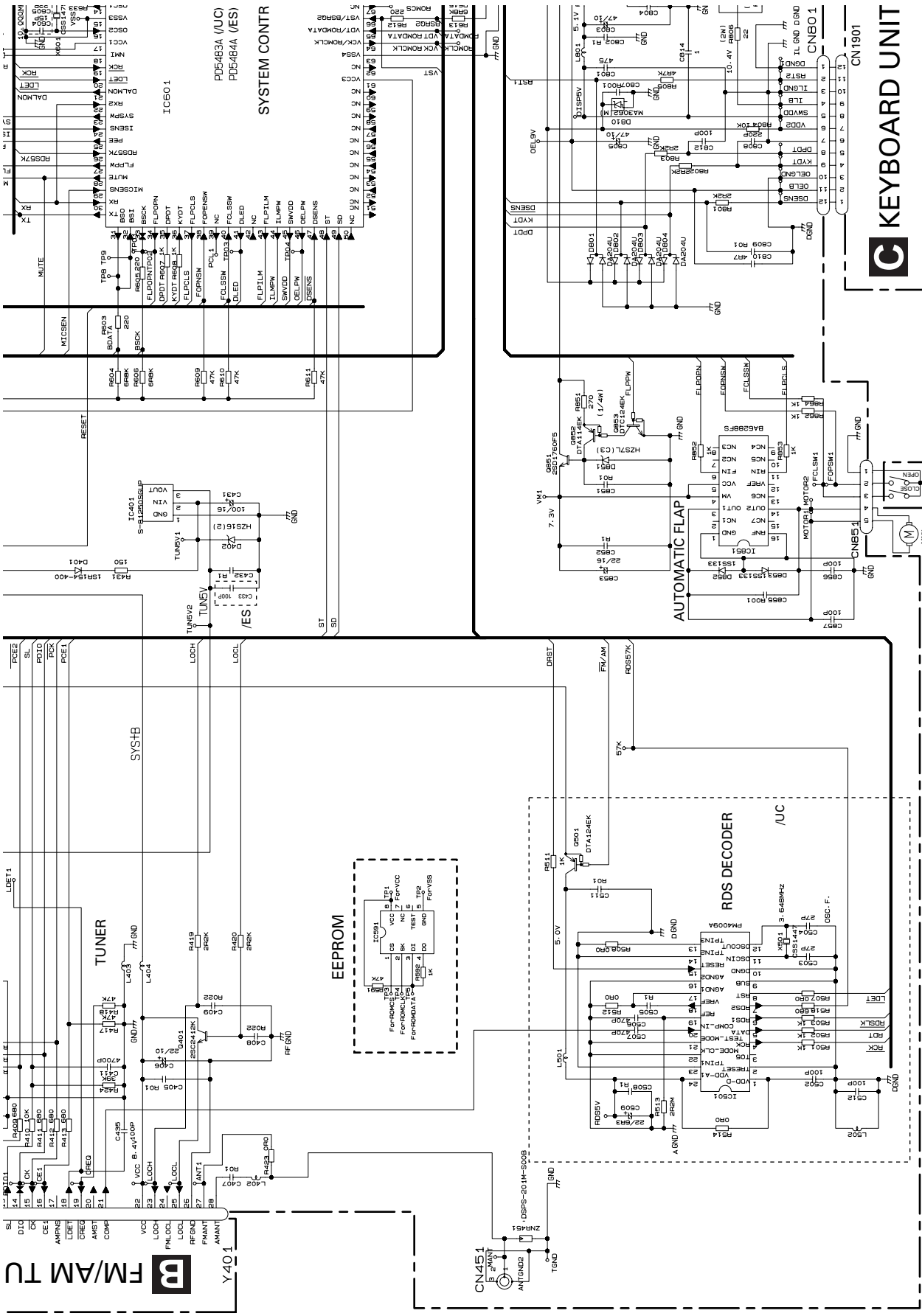
4

1

2

3

4



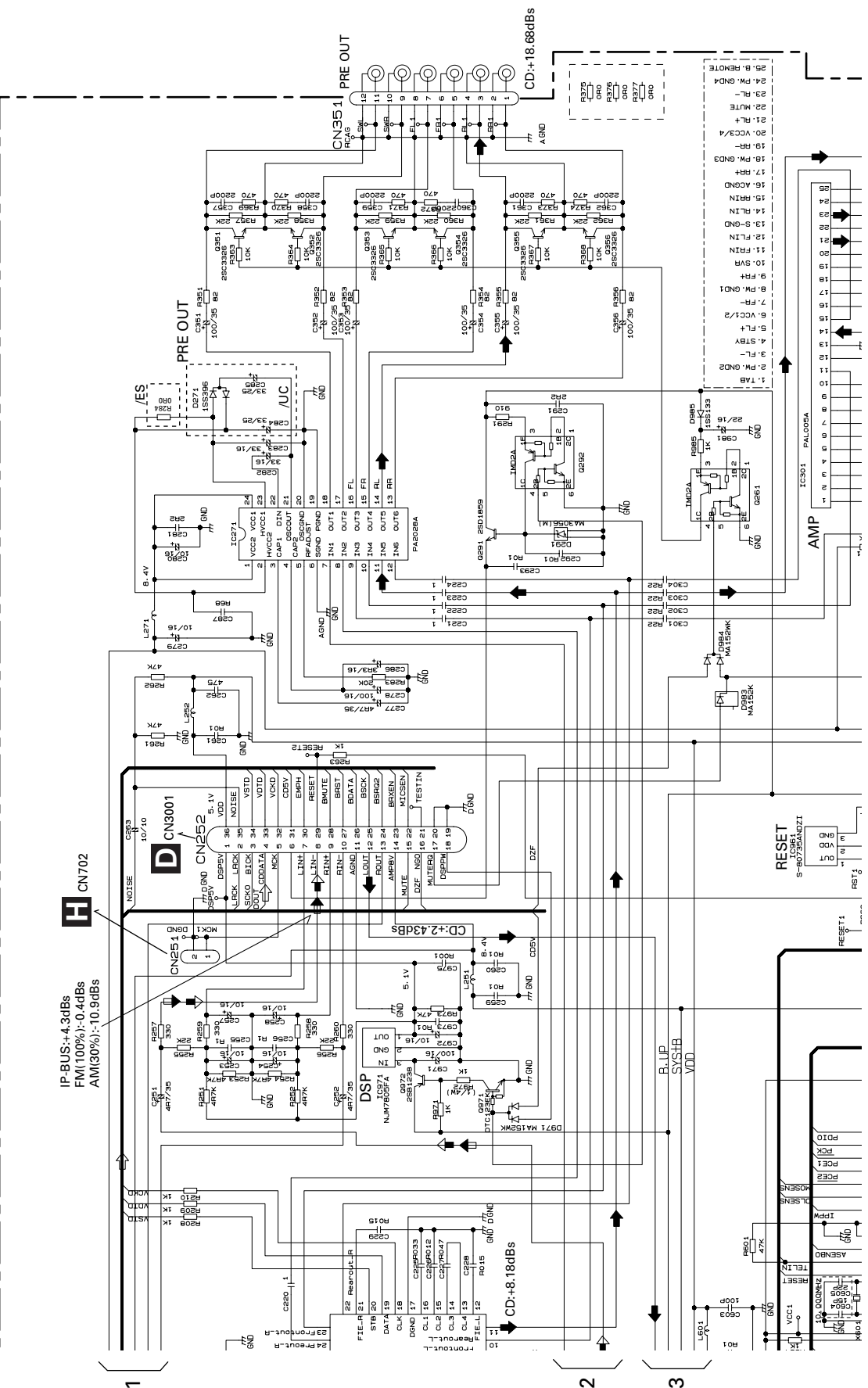
F SWITCH PCB

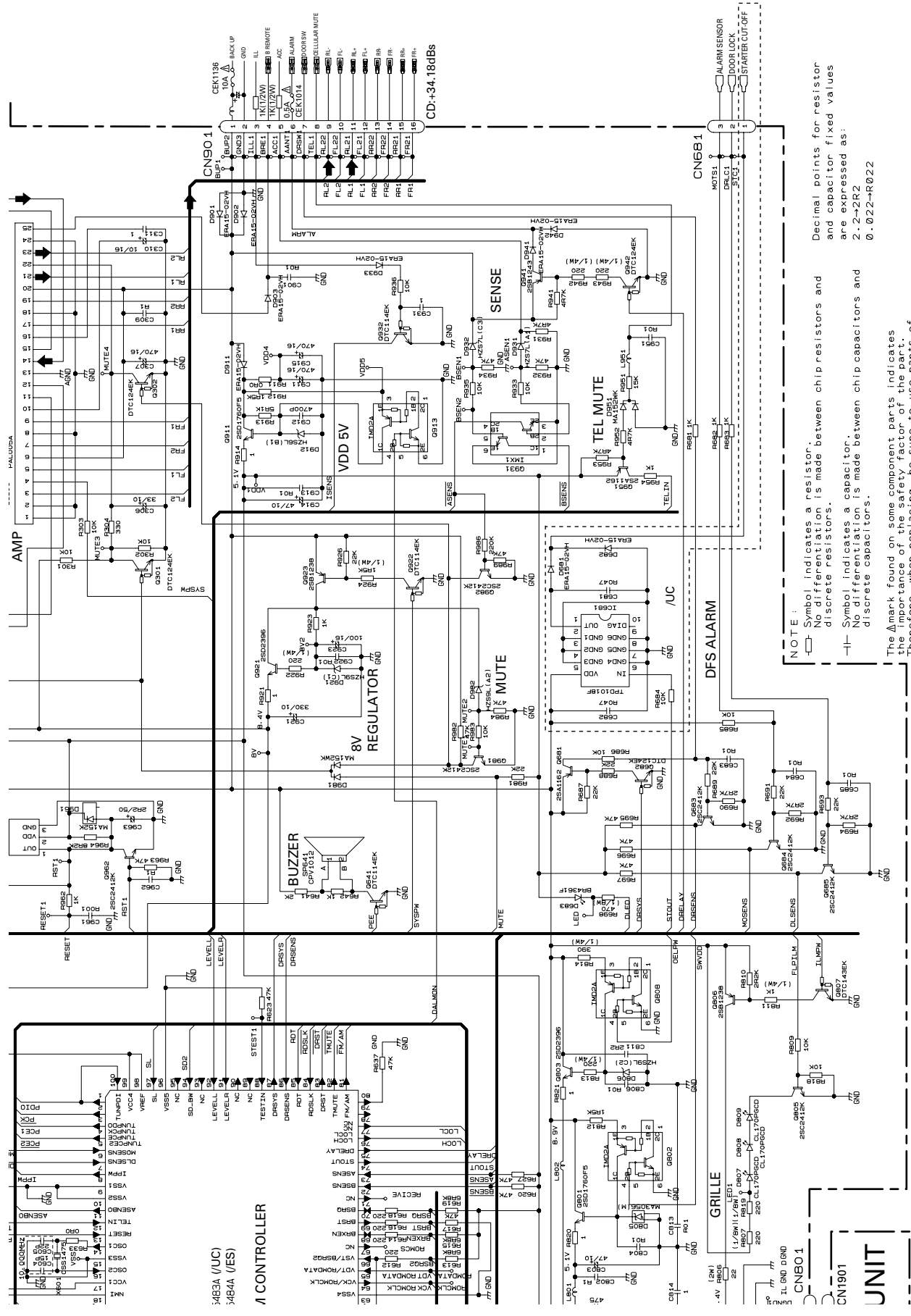
C KEYBOARD UNIT

A-a A-b

A-a F

A TUNER AMP UNIT





NOTE :

- Symbol indicates a resistor. No differentiation is made between chip resistors and discrete resistors.
- Symbol indicates a capacitor. No differentiation is made between chip capacitors and discrete capacitors.

The Δ mark found on some component parts indicates the importance of the safety factor of the part. Therefore, when replacing, be sure to use parts of identical designation.

A-a A-b

A-b

3.3 FM/AM TUNER UNIT

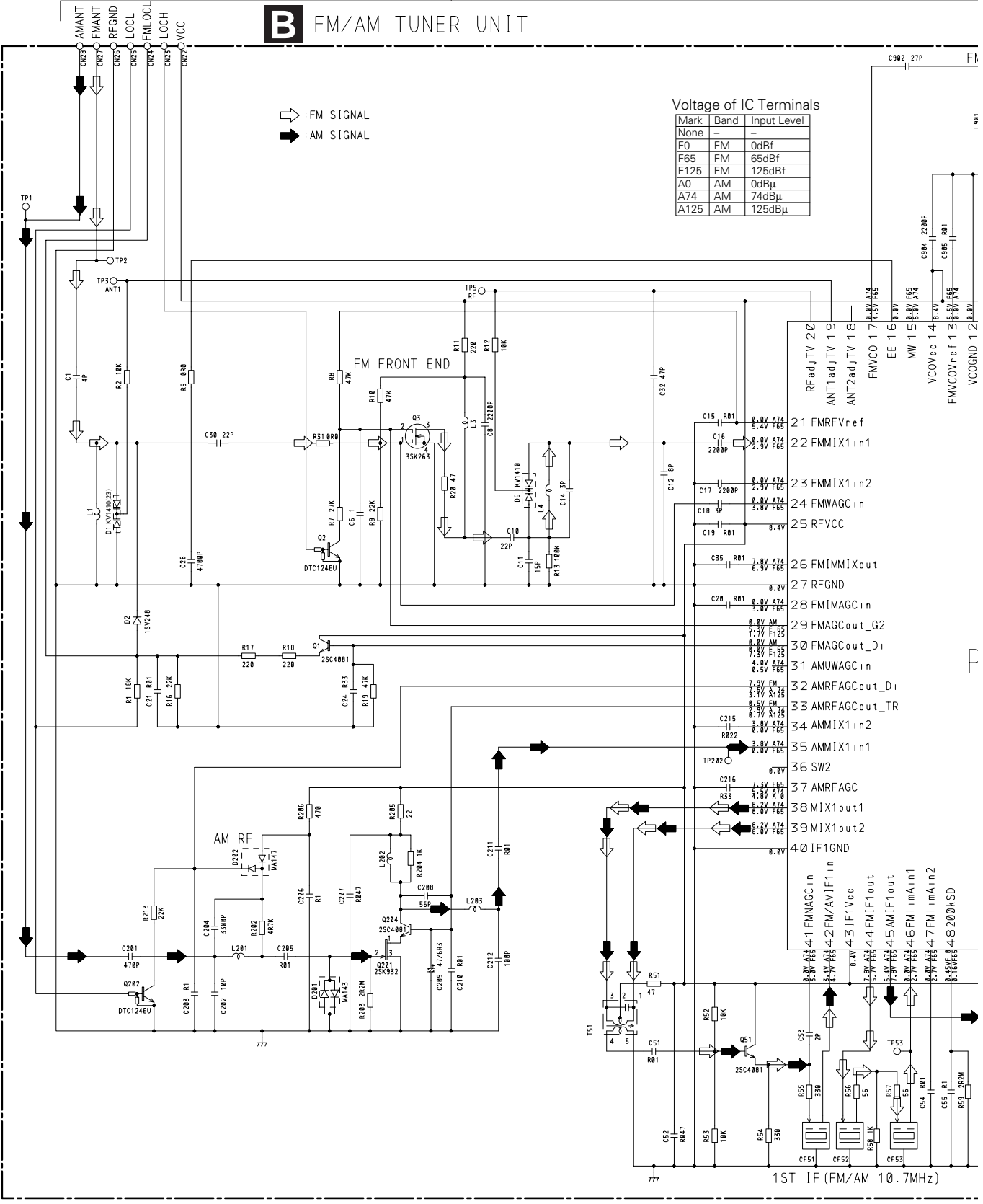
A

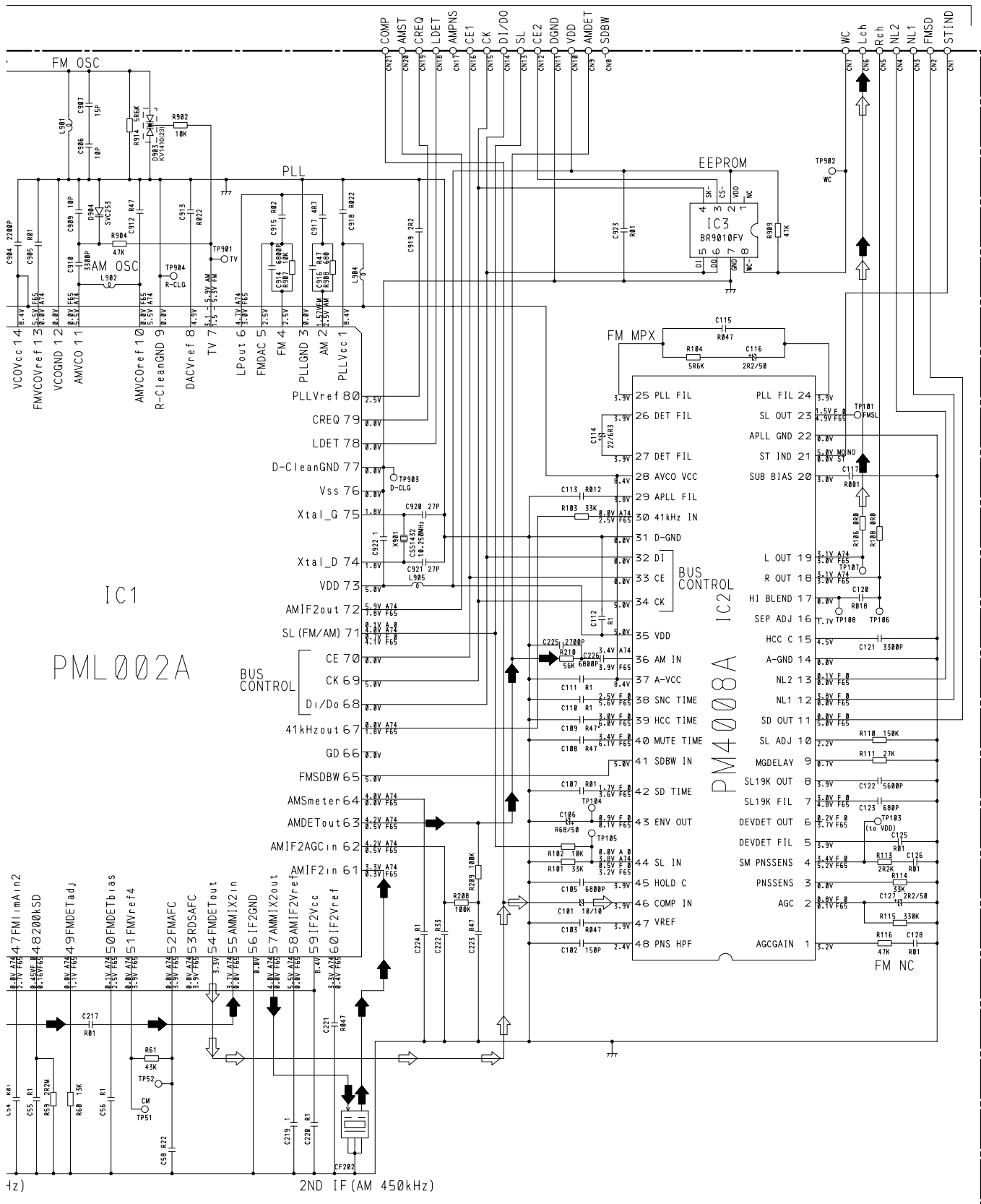
B

C

D

B FM/AM TUNER UNIT





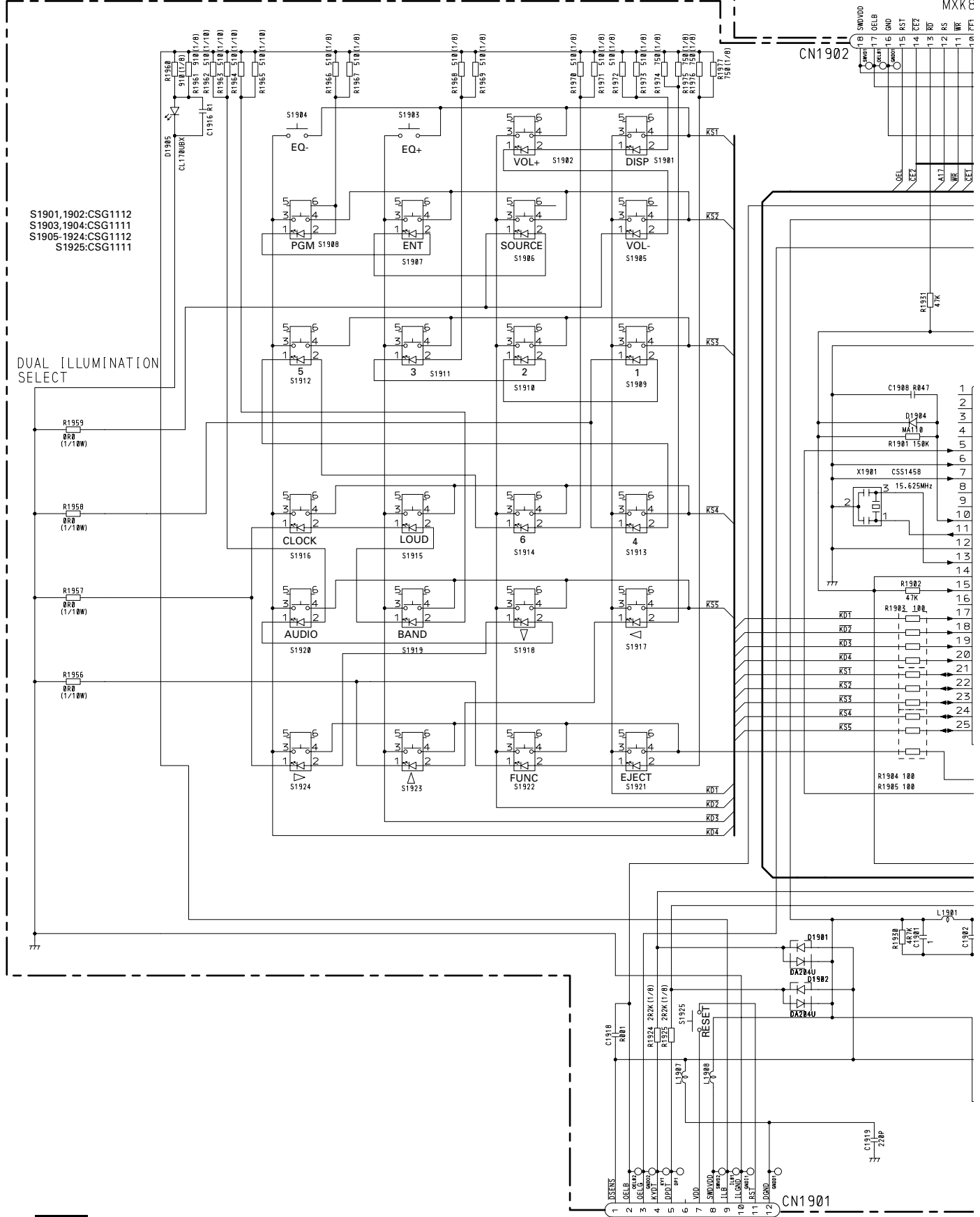
3.4 KEYBOARD UNIT

A

B

C

D



S1901,1902:CSG1112
 S1903,1904:CSG1111
 S1905-1924:CSG1112
 S1925:CSG1111

DUAL ILLUMINATION
 SELECT

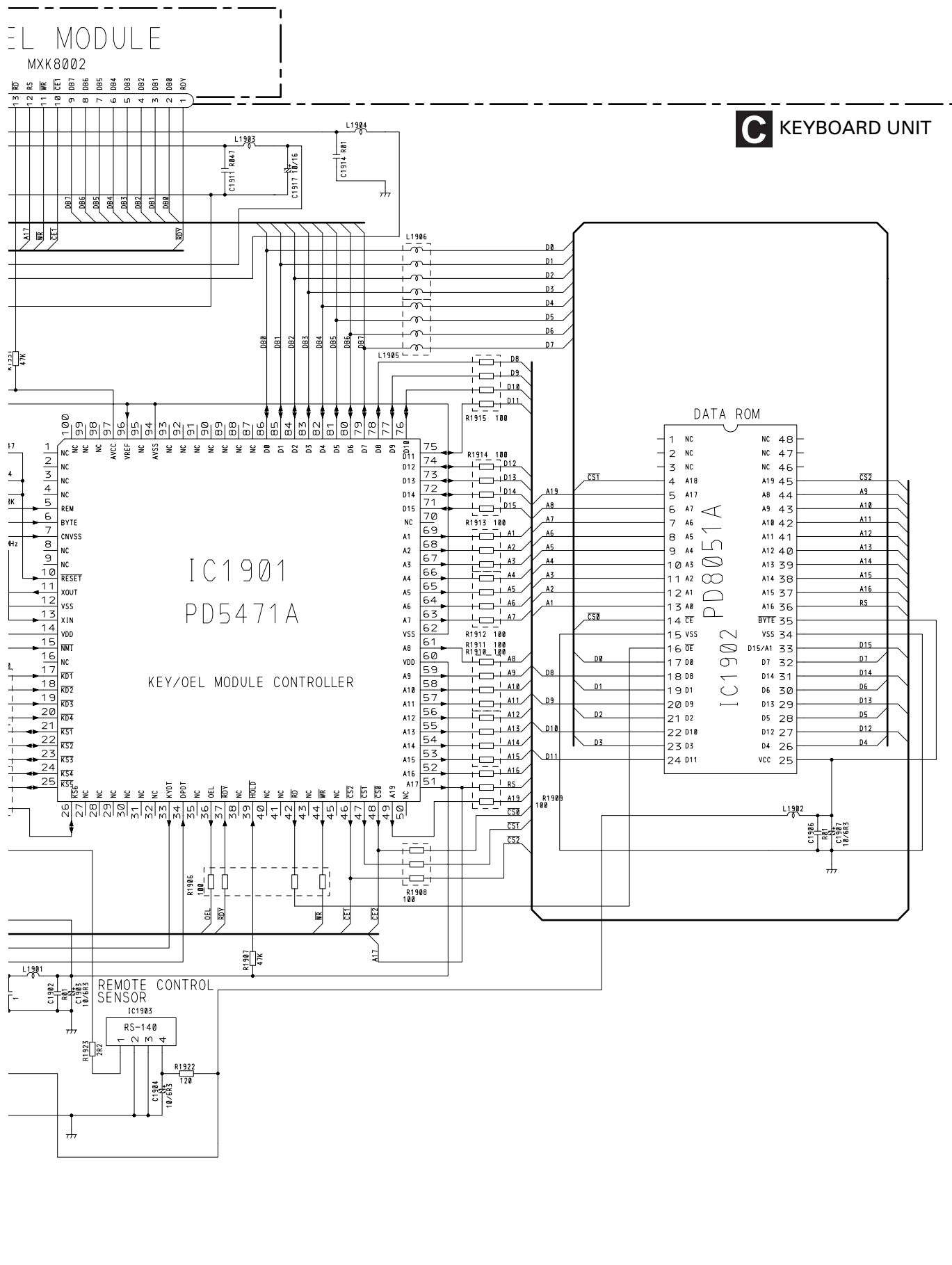
OEL I
 MXK E

CN1902

CN1901

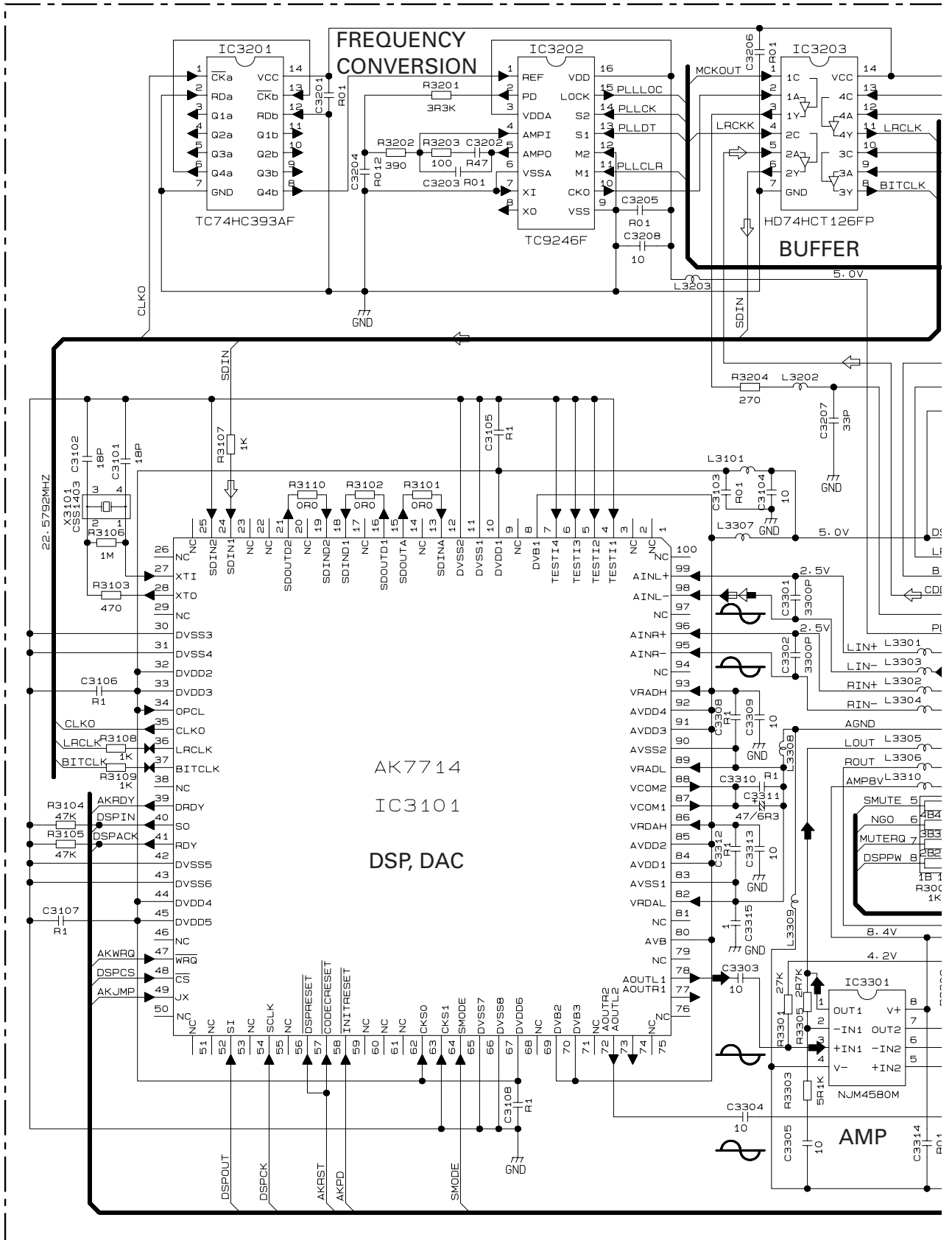
CN801





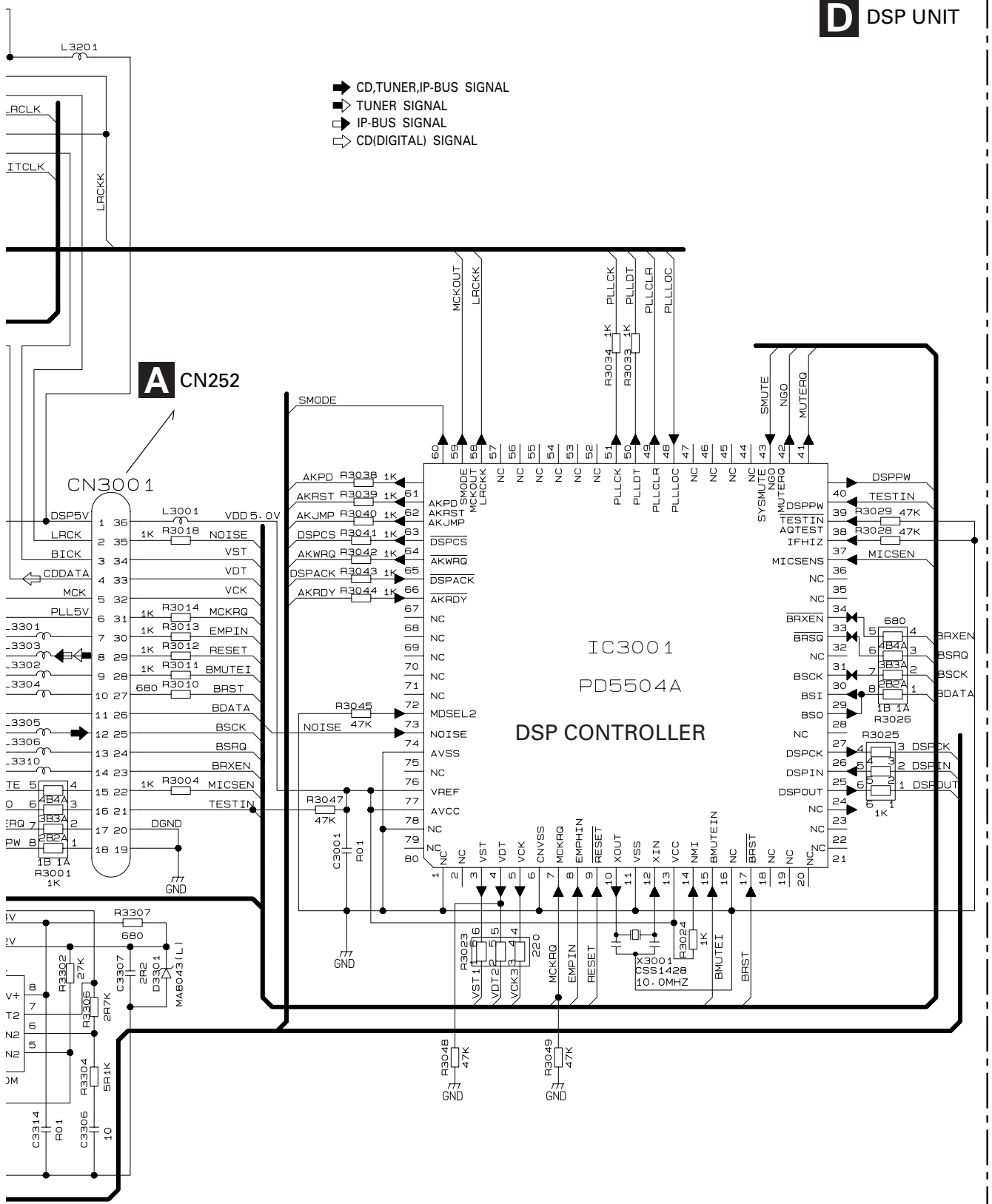
A
B
C
D

3.5 DSP UNIT



D DSP UNIT

- ▶ CD,TUNER,IP-BUS SIGNAL
- ▶ TUNER SIGNAL
- IP-BUS SIGNAL
- ◁ CD(DIGITAL) SIGNAL



A CN252

CN300 1

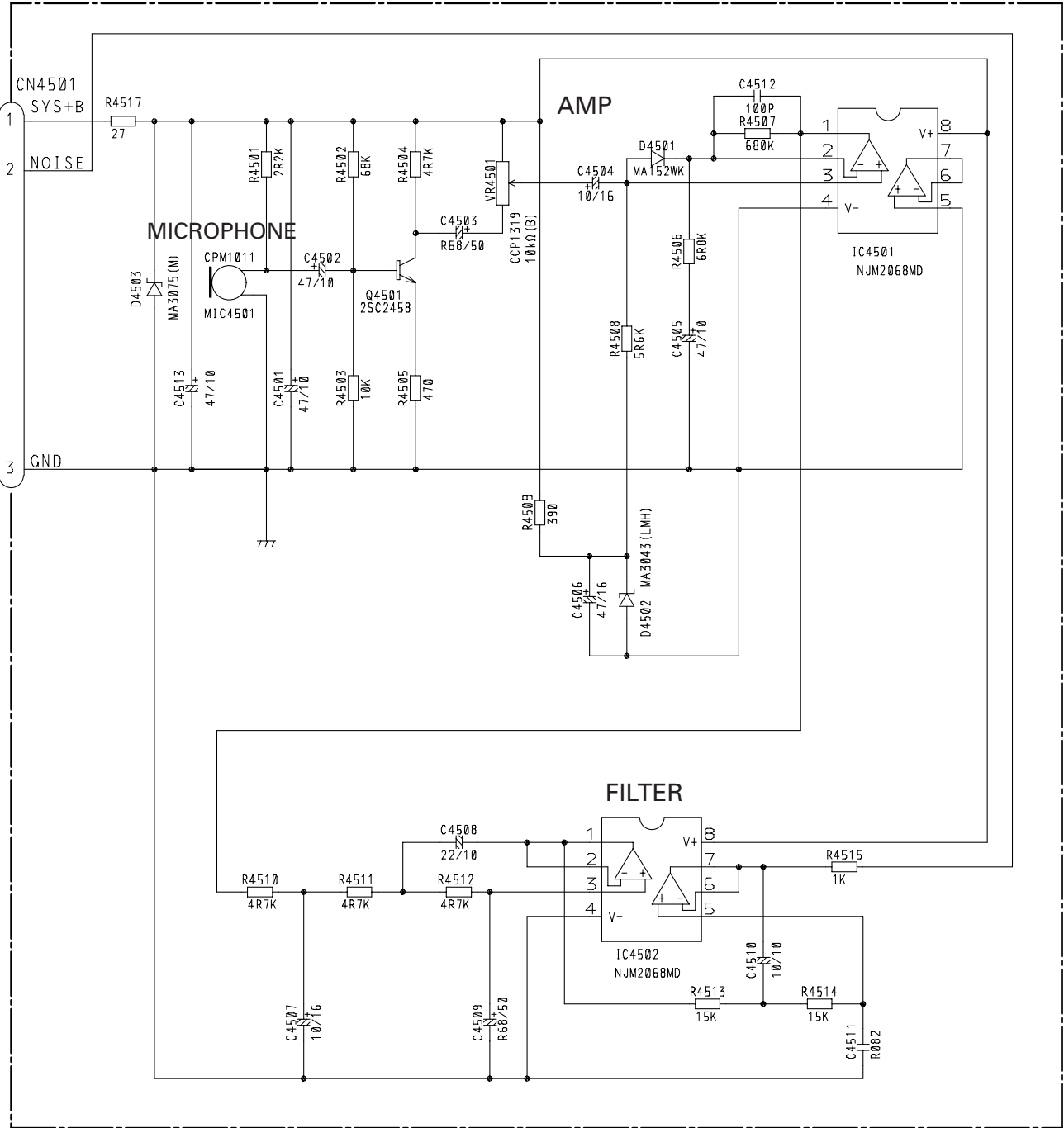
IC3001
PD5504A

DSP CONTROLLER

3.6 ASL UNIT

E ASL UNIT

A CN141



3.7 CD MECHANISM MODULE

CONTROL UNIT

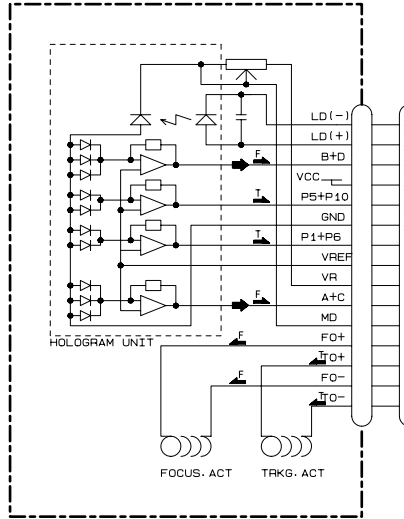
A

B

C

D

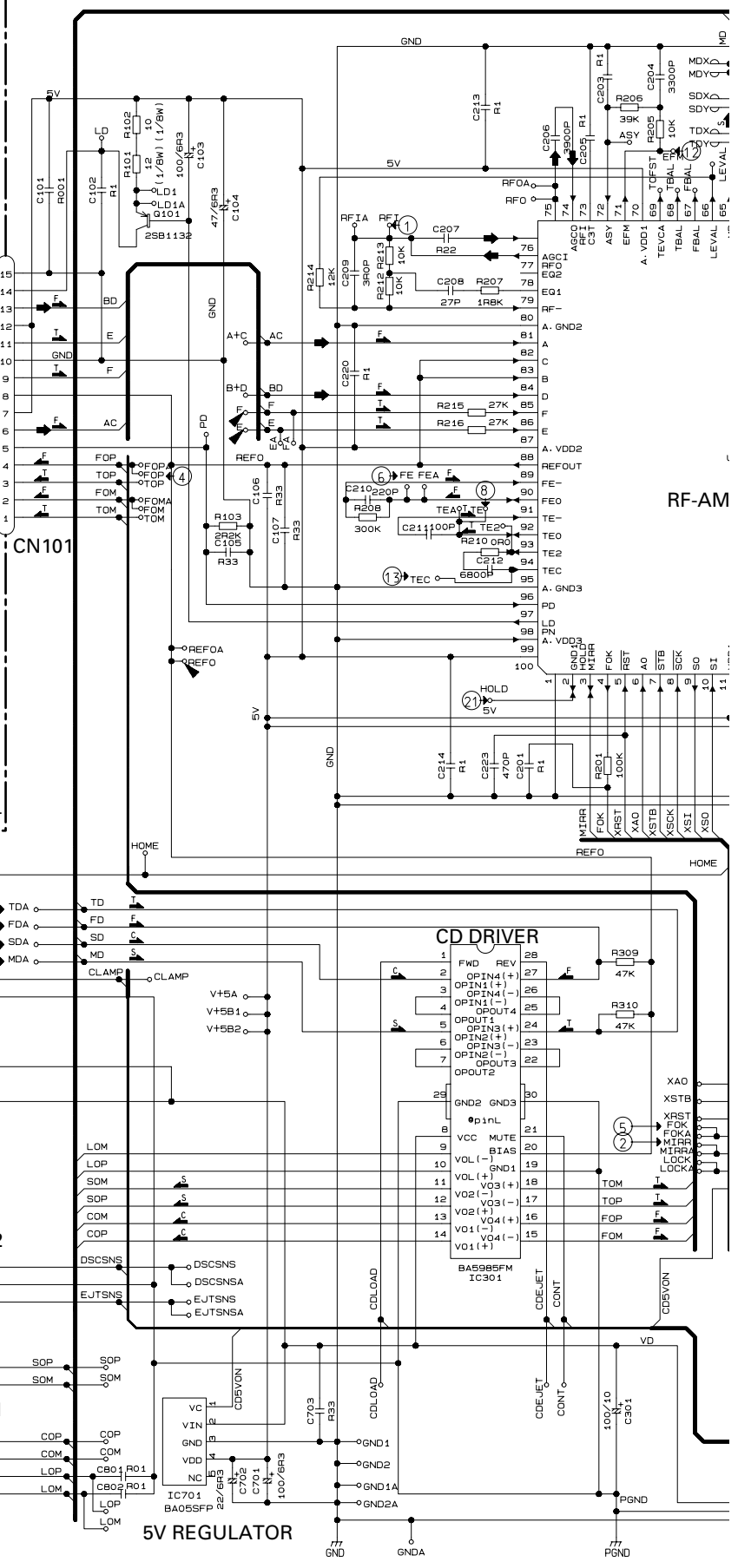
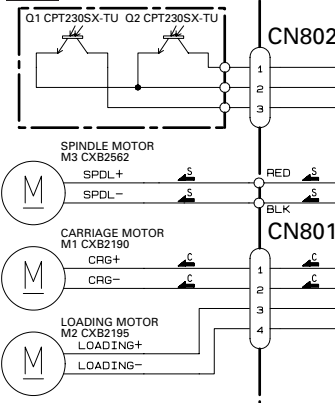
PICKUP UNIT(SERVICE)

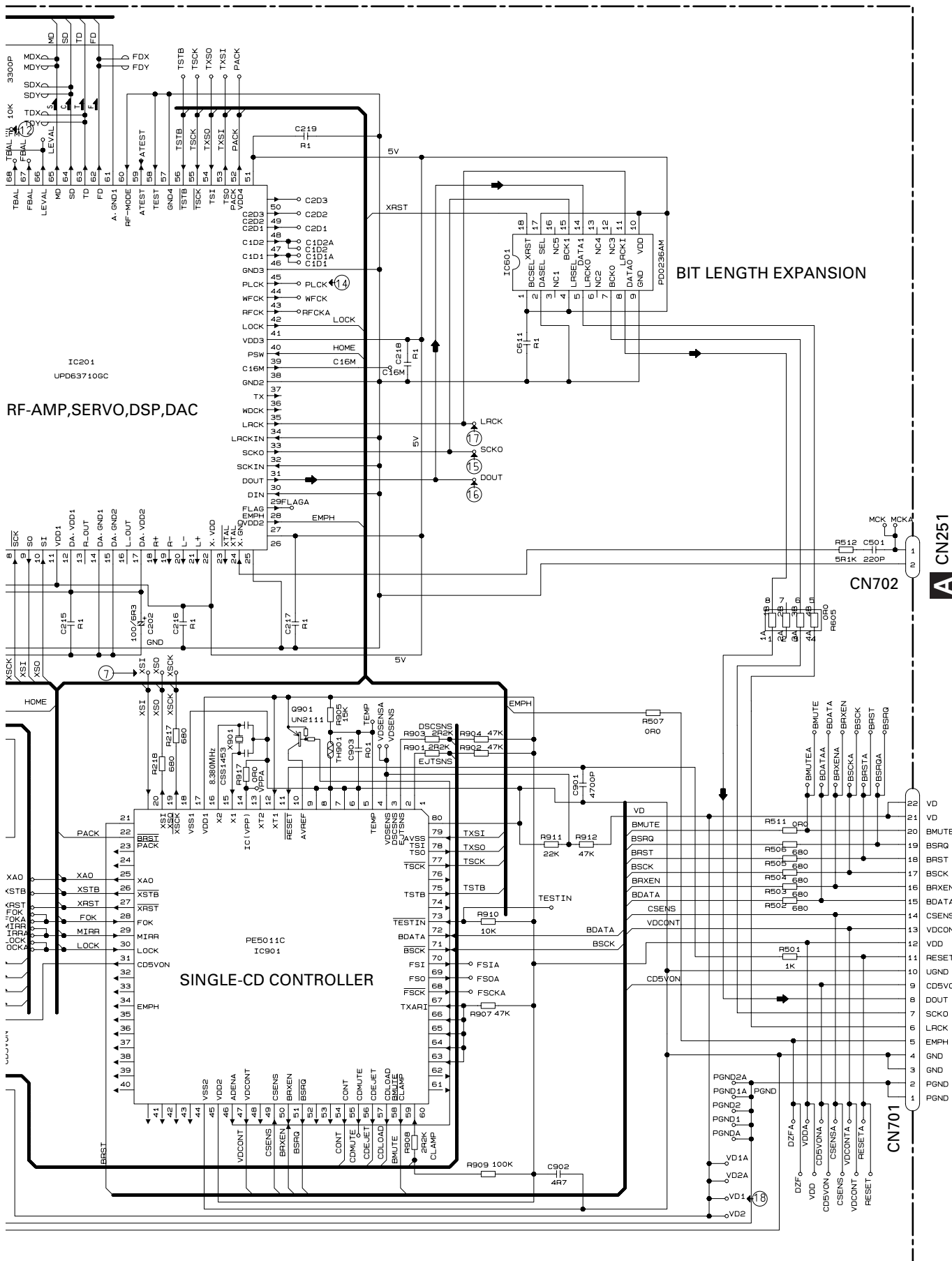


[Symbol] SIGNAL LINE
 [Symbol] FOCUS SERVO LINE
 [Symbol] TRACKING SERVO LINE
 [Symbol] CARRIAGE SERVO LINE
 [Symbol] SPINDLE SERVO LINE

SWITCHES:
 CONTROL UNIT
 S801 : HOME SWITCH.....ON-OFF
 S802 : CLAMP SWITCH.....ON-OFF
 The underlined indicates the switch position.

PHOTO UNIT





RF-AMP,SERVO,DSP,DAC

SINGLE-CD CONTROLLER

BIT LENGTH EXPANSION

CN702

CN701

CN251

A

B

C

D

